

Autocad Quiz



SOURCECAD

Overview

In this AutoCAD quiz eBook, I have tried to compile basic quizzes for AutoCAD beginners. This eBook can be used as an assessment guide by AutoCAD users and as a reference material by the instructors of AutoCAD.

The quizzes are mostly multiple question type and all the answers of the quiz are provided at the end of this eBook. Although answers are provided to you still I would recommend you try the quizzes yourself before referring the answers.

The quizzes cover AutoCAD 2D as well as 3D tools and commands. If you have question related to the quizzes or any content of this eBook, then reach me on admin@thesourcecad.com



2D quiz



PART 1: INTRODUCTION TO AUTOCAD

1. The extension for AutoCAD drawing file is
 - A. DWG
 - B. DWT
 - C. DWF
 - D. DXF
2. What is the keyboard shortcut for saving AutoCAD drawing
 - A. CTRL + S
 - B. SHIFT + S
 - C. ALT + S
 - D. CTRL + ALT + S
3. The extension for AutoCAD template file is
 - A. DWG
 - B. DWT
 - C. DWF
 - D. DXF
4. The command for opening "drawing units" window is
 - A. U
 - B. UN
 - C. UNI
 - D. UNIT

5. Whenever you save a drawing a new backup file is created which contains file without changes, what is the extension of that backup file?
- A. DWG
 - B. SVG
 - C. BAK
 - D. BCK
6. To fit all drawing objects in the visible drawing area you need to select
- A. Zoom Window
 - B. Zoom Dynamic
 - C. Zoom Extents
 - D. Zoom Object
7. The shortcut for using Zoom command is
- A. Z Command
 - B. Rotate mouse wheel
 - C. ZOOM Command
 - D. All of the above
8. If AutoCAD is displaying length of a line as 24.952 then what is the precision selected?
- A. (0.0)
 - B. (0.00)
 - C. (0.000)
 - D. Display of length has nothing to do with precision

9. The default workspace in AutoCAD 2016 is

- A. AutoCAD Classic
- B. Drafting & Annotation
- C. 3D Basics
- D. 3D Modeling

10. How can you access PAN tool of AutoCAD

- A. Right click and select PAN from contextual menu
- B. PAN command
- C. Press and hold middle mouse button
- D. All of the above

PART 2: CREATING DRAWINGS

1. Which symbol can be used to specify angle for making an inclined line?
 - A. <
 - B. >
 - C. @
 - D. #

2. AutoCAD circle flyout on draw panel offers how many ways to make a circle?
 - A. 4
 - B. 5
 - C. 6
 - D. 8

3. Which option will you use to make a circle which is tangent to a line and circle and has certain radius value
 - A. 2 Point circle
 - B. 3 Point circle
 - C. Tangent, tangent, radius circle
 - D. Tangent, tangent, tangent circle

4. What is the command for starting rectangle

- A. R
- B. RE
- C. REC
- D. RET

5. The shortcut for starting polyline command is

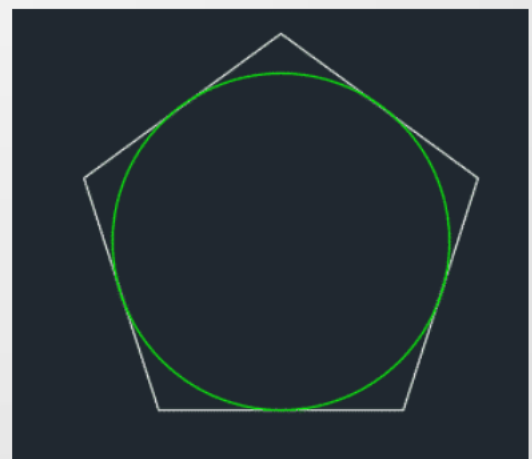
- A. P
- B. PL
- C. PLE
- A. PO

6. What is the maximum number of sides with which a polygon can be made in AutoCAD

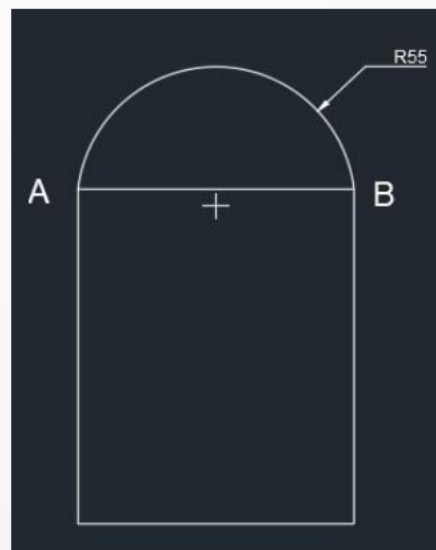
- A. 12
- B. 512
- C. 1024
- D. There is no limitation on number of sides

7. In the image shown here, the polygon is inscribed or circumscribed about the green circle?

- A. Inscribed
- B. Circumscribed



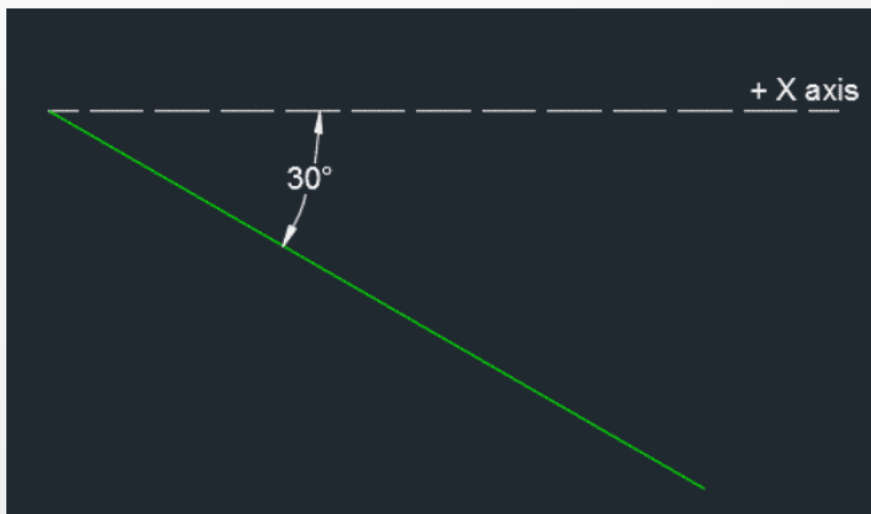
8. Is it possible to make a rectangle with fillets on all four vertices?
- A. Yes
B. No
9. Can you use Polygon tool to make a polygon with a known edge length without using inscribed or circumscribed circle as a reference?
- A. Yes
B. No
10. To make the arc as shown in the image here which Arc command can be most effectively used?



- A. Three Point Arc
B. Start End Radius
C. Center Start End
D. Center Start Length

PART 3: MODIFYING AND MANIPULATING DRAWINGS

1. State true or false: It is not possible to make a linear array with copy command
 - A. True
 - B. False
2. State true or false: An object is selected only if the crossing window or polygon completely encloses it
 - A. True
 - B. False
3. What should be the angle of horizontal line so as to rotate it to the position of green line?



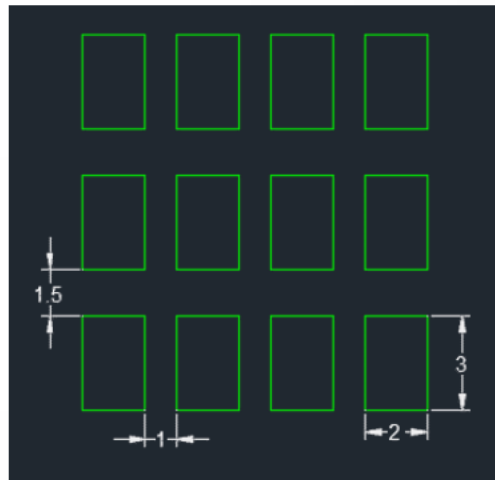
- A. 30 Degrees
- B. -30 Degrees

4. In the image shown here, what is the offset distance between both the closed geometries?



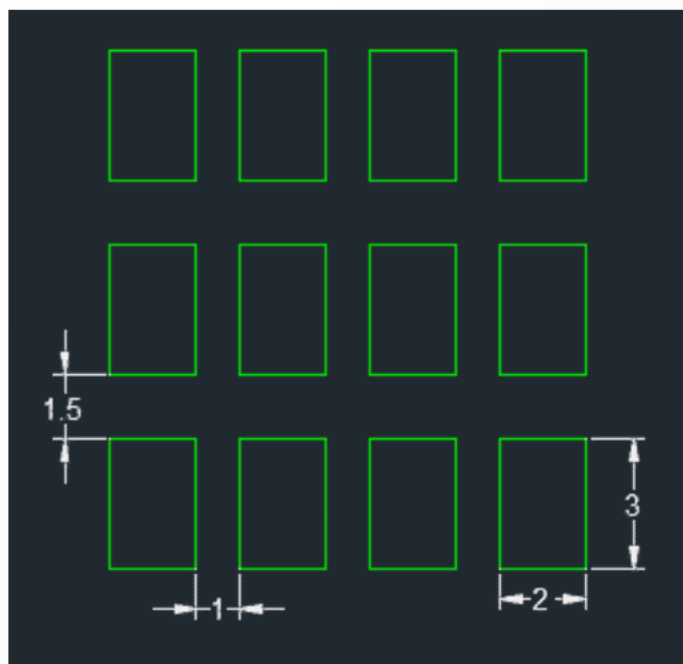
- A. 1
 - B. 2
 - C. 0.5
 - D. 4
5. To reduce the size of an object to half of its initial value using SCALE command the scale factor would be?
- A. 2
 - B. 0.25
 - C. 0.5
 - D. 4
6. What is the result of using POLYLINE sub command of FILLET command
- A. Fillet will be applied to all Polylines of the drawing
 - B. Fillet will be applied to all objects except Polylines
 - C. Fillet will be applied to all the vertices of selected Polyline

7. In the rectangular array shown here what is the gap between rows?



- A. 1
 - B. 1.5
 - C. 3
 - D. 4.5
8. To break a Polyline into lines and arcs which command can be used
- A. **BREAK**
 - B. **TRIM**
 - C. **EXPLODE**
 - D. **OVERKILL**
9. The command for trim tool is?
- A. **T**
 - B. **TR**
 - C. **TI**
 - D. **X**

10. In the rectangular array shown here, what is the gap between columns?



- A. 1
- B. 1.5
- C. 3
- D. 4.5

PART 4: DRAWING TOOLS

1. What will you use on the command line to make a line with length 8 units at an angle of 60 degrees with respect to positive direction of X axis, assuming you use line command and the first point of line is not at origin.

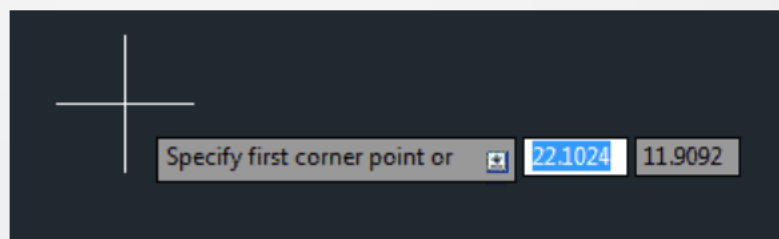
- A. 60<8
- B. 8<60
- C. @60<8
- D. @8<60

2. What is the name of status bar icon encircled in red?



- A. Ortho mode
- B. Polar tracking
- C. Dynamic input
- D. Object snap tracking

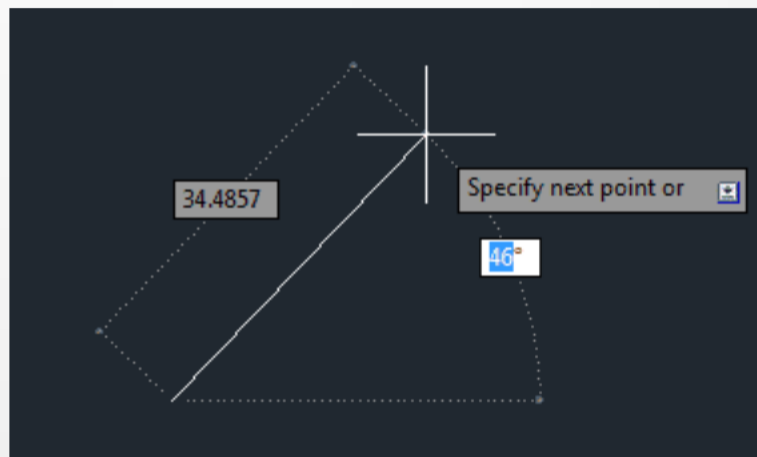
3. Which option of the status bar will activate the Tooltip as shown on the cursor?



- A. Ortho mode
- B. Polar tracking
- C. Object snap
- D. Dynamic input

4. State True or False: You can change polar tracking angle to any angle of your choice.
- A. TRUE
 - B. FALSE
5. What will you enter on the command line to make a rectangle using RECTANGLE tool with length 6 units (along X axis) and width 4 units (along Y axis), the rectangle is not starting at origin point.
- A. 6,4
 - B. 4,6
 - C. @6,4
 - D. @4,6
6. To fill closed area with a single color which hatch pattern will you use?
- A. ANSI31
 - B. ANGLE
 - C. SOLID
 - D. Filled area can't be made with hatch command
7. Which function key enables object snap in AutoCAD?
- A. F2
 - B. F3
 - C. F5
 - D. F8

8. Which factor of hatch command you will change to correct the spacing between hatch lines or pattern?
- A. Pattern
 - B. Angle
 - C. Scale
 - D. layer
9. Which object snap tool was added in AutoCAD 2016 version?
- A. Geometric center
 - B. Apparent intersection
 - C. Insertion
 - D. Node
10. To toggle between different fields of dynamic input which key can be used?



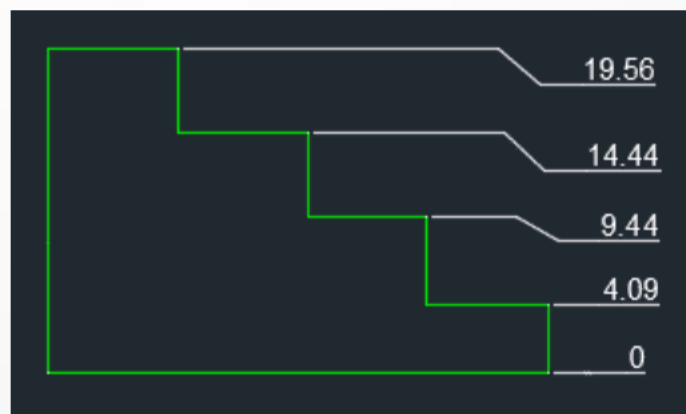
- A. SHIFT
- B. ALT
- C. CTRL
- D. TAB

PART 5: DIMENSIONING AND TEXT

1. What is the command for starting text style dialogue box?

- A. T
- B. TXT
- C. ST
- D. S

2. What is the type of dimensioning used in the drawing shown in the image?



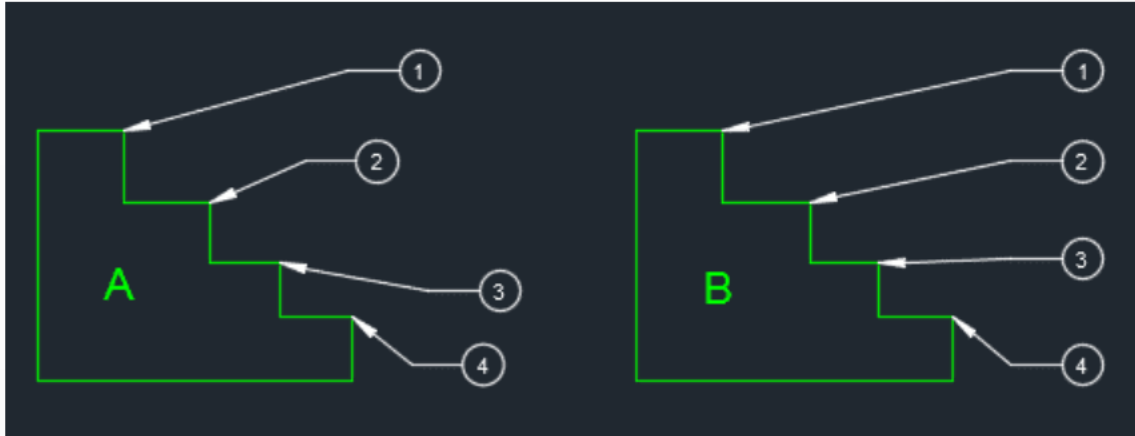
- A. Linear
- B. Aligned
- C. Jogged
- D. Ordinate

3. In the image shown here, extension line of linear dimension is indicated by which color?

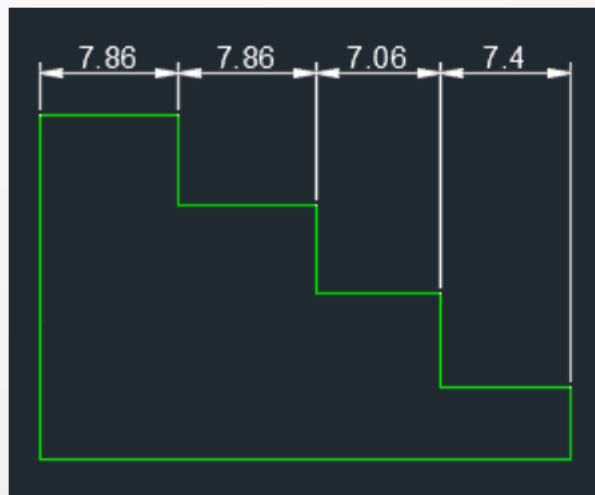


- A. Red
 - B. Green
4. Which one is not a command for single line text?
- A. TEXT
 - B. DTEXT
 - C. STTEXT

5. In order to align Multileader of drawing A to the configuration of drawing B which command can be used?



- A. **Override**
B. **Align**
C. **Mleader**
D. **Collect**
6. What is the name of dimension type shown in this image?



- A. **Continue**
B. **Baseline**

7. Which command among the following cannot be used for editing MTEXT

- A. MTEDIT
- B. TEXTEDIT
- C. TEDIT
- D. EDITTEXT

8. What is the command for starting table in AutoCAD?

- A. T
- B. TA
- C. TBL
- D. TABLE

9. What is the command for starting multileader tool?

- A. ML
- B. MLN
- C. MLEADER
- D. MULT

10. Symbol tool can be found on which panel of MLINE text editor?

- A. Tools
- B. Insert
- C. Options
- D. Formatting

PART 6: LAYER, BLOCK AND XREF

1. Which option of layer properties is indicated by light bulb icon here?



- A. Layer ON/OFF
- B. Layer Freeze/Thaw

2. To change a block into normal drawing object which command can be used?

- A. EXPLODE
- B. OVERKILL
- C. REDEFINE
- D. UNGROUP

3. Which layer is automatically created when a dimension is added to the drawing?

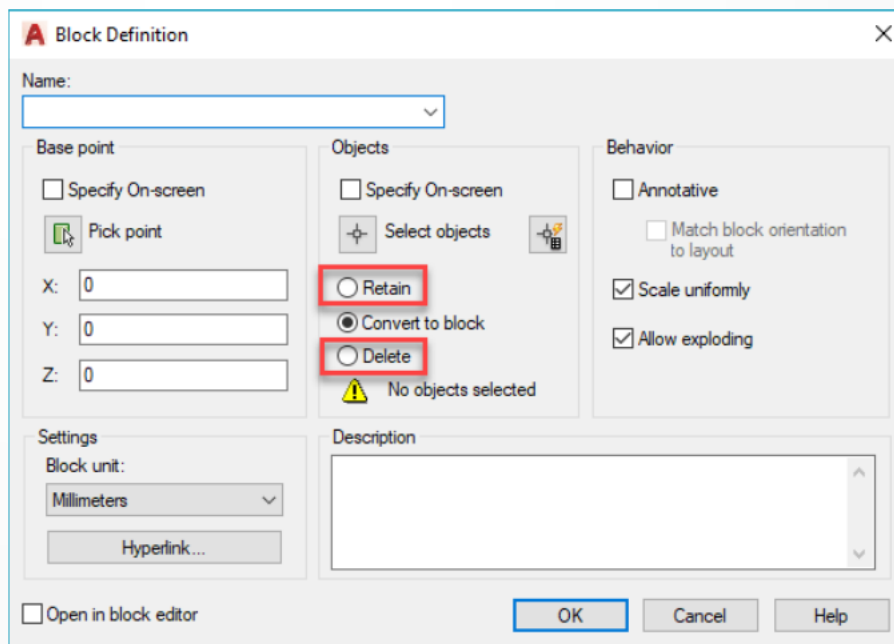
- A. Layer 0
- B. Layer 1
- C. Defpoints
- D. Dim

4. Which of the following layer can be deleted from layer property manager palette?
 - A. Layer 0
 - B. Defpoints
 - C. Layer containing objects
 - D. Frozen layer not containing objects

5. What is the highest value of layer transparency?
 - A. 100
 - B. 30
 - C. 50
 - D. 90

6. State True or False: You can't insert an xRef which has same name as a block in the drawing.
 - A. TRUE
 - B. FALSE

7. State True or False: If you select "retain" or "delete" from objects panel of create block window then block will not be created.



- A. TRUE
- B. FALSE

8. State True or False: An image can be attached as an xRef in the drawing.

- A. TRUE
- B. FALSE

9. Which among the following is not true for an xRef?

- A. You can insert xRef which has same name as a block in the drawing
- B. You can modify xRef from drawing in which it is attached
- C. xRef is attached as a data link and it is not actually inserted

10. Make a circle with radius 5 units in AutoCAD, then make a layer and name it Drg and give this layer Red color. Now place circle on Drg layer then select circle and change its color to green from properties palette. What is the final color of circle now?
- A. RED
 - B. GREEN
 - C. Default color of AutoCAD drawing objects

PART 7: PREPARING LAYOUT AND PLOTTING

1. Which among them is not an option for starting print command?

- A. PRINT
- B. PR
- C. PLOT
- D. CTRL + P

2. Which orientation is landscape among A and B?



- A. A
- B. B

3. To plot all layouts at once which command you can use?

- A. PLOT
- B. PUBLISH
- C. EXPORT
- D. ETRANSMIT

4. To plot only a particular portion of a drawing which option can be selected in plot area panel of PLOT window?
- A. Display
 - B. Window
 - C. Limits
 - D. Extents
5. How can you change size of drawing in your final PLOT?
- A. By changing paper size
 - B. By changing plot area
 - C. By changing plot scale

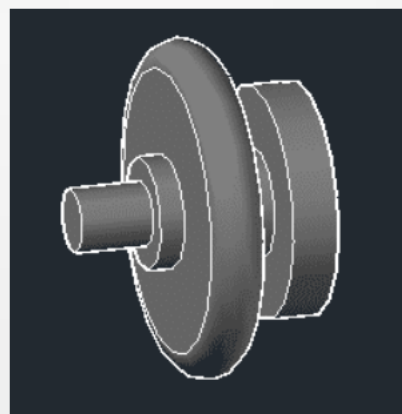


3D quiz



PART 1: INTRODUCTION TO 3D SOLID MODELING

1. What is the alternative method of using orbit tool?
 - A. Press and hold ctrl key then orbit using scroll key of mouse
 - B. Press and hold Alt key then orbit using scroll key of mouse
 - C. Press and hold Shift key then orbit using scroll key of mouse
 - D. Press and hold tab key then orbit using scroll key of mouse
2. What will happen if you use solid extrude command on an open 2D geometry
 - A. It will not create extrusion
 - B. It will extrude a surface
 - C. Command line will prompt you to make closed boundry before using extrude command
 - D. Region will be created from extrusion
3. To create a shape as shown here, which command can be used most efficiently?



- A. Extrude
- B. Sweep
- C. Revolve
- D. Extrude and Presspull

4. State true or false: Presspull command can be used to create a groove in an existing geometry.

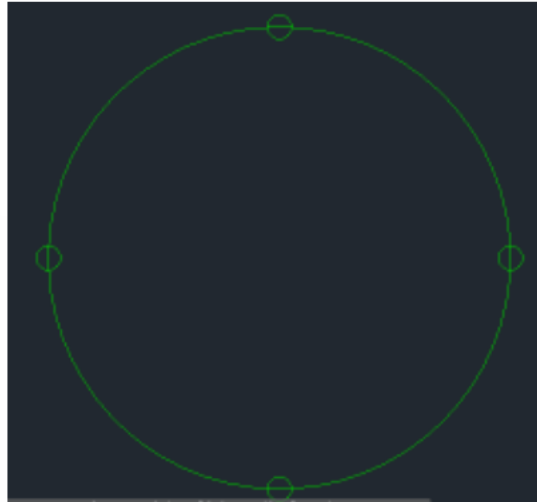
- A. True
- B. False

5. Which command can be most efficiently used to make this geometry?



- A. Extrude
- B. Presspull
- C. Revolve
- D. Sweep

6. Which tool makes this green circle?



- A. Orbit
- B. Free Orbit
- C. Continuous Orbit
- D. Zoom

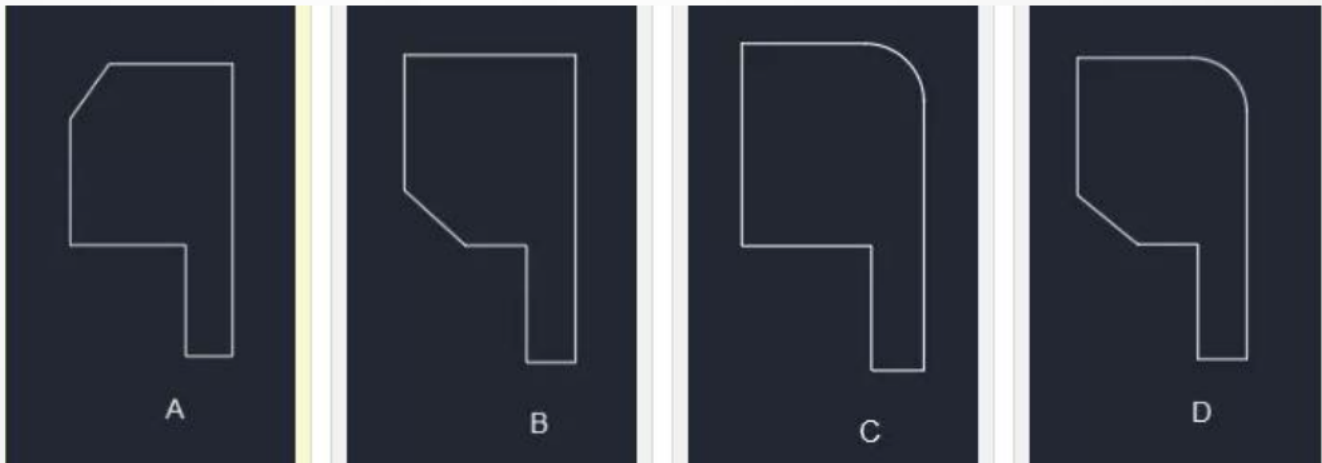
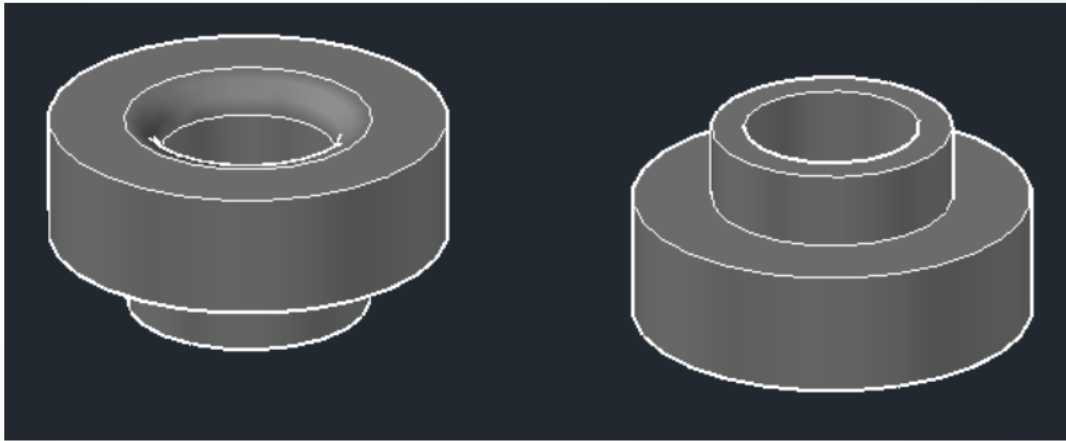
7. How many workspaces are available in AutoCAD for 3D drawing?

- A. 1
- B. 2
- C. 3
- D. 4

8. Which zoom command will you use to bring a selected area of drawing in view?

- A. Zoom Extents
- B. Zoom All
- C. Zoom Dynamic
- D. Zoom Window

9. Which of the following 2D geometry is used to make this 3D shape using Revolve command?



10. Is it possible to save the orientation of geometries in the drawing as views?

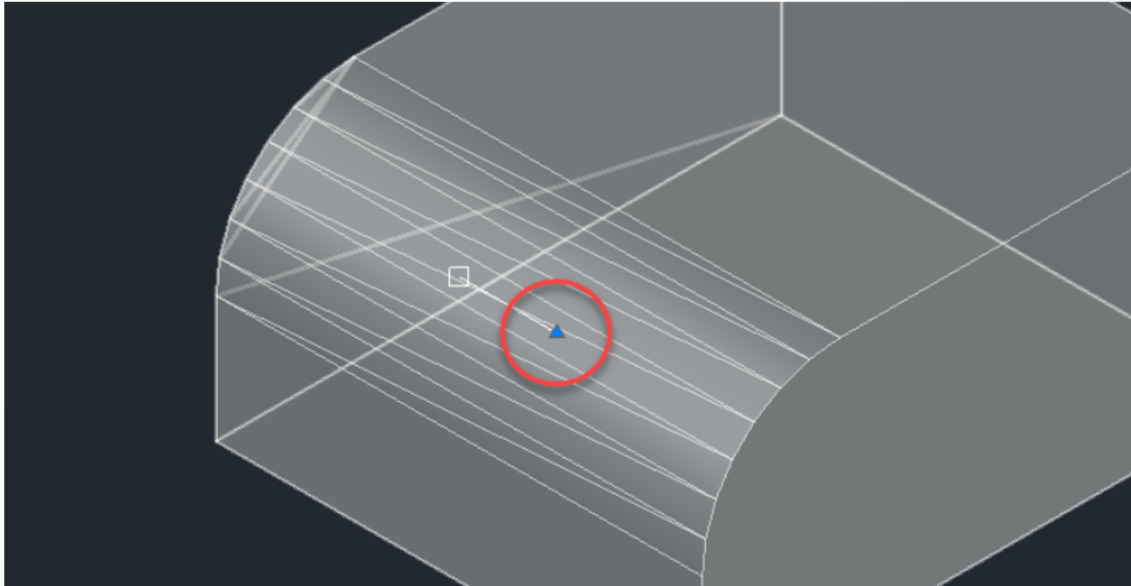
- A. Yes
- B. No

PART 2: EDITING AND VISUALIZING SOLIDS

1. To create Fillet or Chamfer on all connected edges of a 3D solid which subcommand is used?
 - A. Loop
 - B. Chain
 - C. Multiple
 - D. Edge
2. State True or False: Using Move Face command a groove can be moved to a different point on the 3D solid.
 - A. True
 - B. False
3. Which one of the following is not a Boolean operation in AutoCAD 3D
 - A. Union
 - B. Subtract
 - C. Intersect
 - D. Divide

4. To make a geometry on a surface other than on XY plane which status bar tool can be used?
- A. Selection cycling
 - B. Dynamic Input
 - C. Dynamic UCS
 - D. 3D object snap
5. If an array is made as associative then which of the following statement is false?
- A. You can't use boolean operations on the array elements
 - B. To make the array non associative you need to use explode command on it
 - C. The array can be edited again by selecting it
 - D. The array can't be modified in any way once it is made associative
6. To extract the common region between two interfering solids which Boolean operation can be used?
- A. Union
 - B. Subtract
 - C. Intersect

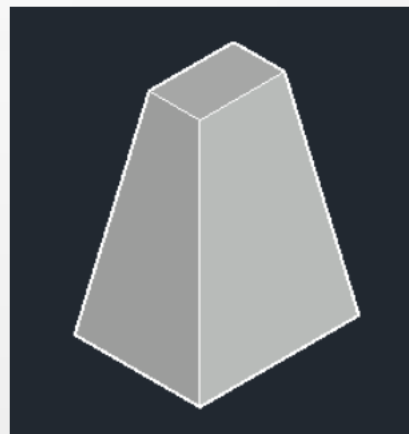
7. When applying 3D fillet the grip shown in image appears, what can be done with it?



- A. It can change radius of fillet
- B. It can convert fillet into chamfer
- C. It can change the edge on which fillet is applied
- D. This grip has nothing to do with fillet

8. Which subcommand of extrude can be used to make this solid?

- A. Direction
- B. Path
- C. Mode
- D. Taper angle



9. Which coordinate option can be used to reset the orientation of UCS to its default?
- A. UCS, Named ucs
 - B. UCS, World
 - C. UCS, Previous
 - D. UCS Icon, Properties
10. Which of the following tool cannot be used to make 2D views from 3D drawing
- A. Flatten
 - B. Flatshot
 - C. Layout Views
 - D. Section Plane

PART 3: SURFACE MODELING

1. Which of these is not a surface tool?
 - A. Extrude
 - B. Fillet
 - C. Chamfer
 - D. Offset

2. Is it possible to create a surface from closed Polyline geometry by using solid Extrude command?
 - A. Yes
 - B. No

3. What will happen if you create a surface using 2D geometry with surface associativity turned on and then delete the 2D geometry.
 - A. It will have no effect on the drawing
 - B. Only the surface will be deleted
 - C. The surface as well as the resulting geometry created will be removed

4. Is it possible to create a surface offset on both sides of surface simultaneously?
 - A. Yes
 - B. No

5. Patch command can be used in which of the following situations?

- A. To Join different surfaces together
- B. To fill gap on the open end of a closed loop of a surface
- C. To create fillet on sharp surface edge

PART 4: RENDERING AND PRESENTATION

1. To fine tune the position of camera efficiently which tool can be used?
 - A. Pan
 - B. Zoom
 - C. Orbit
 - D. Navigation wheel
2. State true or false: It is not possible to apply materials to all objects on a Layer.
 - A. True
 - B. False
3. Which one among the following is not an advantage of using Low quality render preset?
 - A. Rendering is created quickly
 - B. High quality rendering is created
 - C. Quick preview of rendering is generated
4. Which format is not supported for creating an animated walkthrough video in AutoCAD?
 - A. WMV
 - B. 3GP
 - C. AVI
 - D. MPG

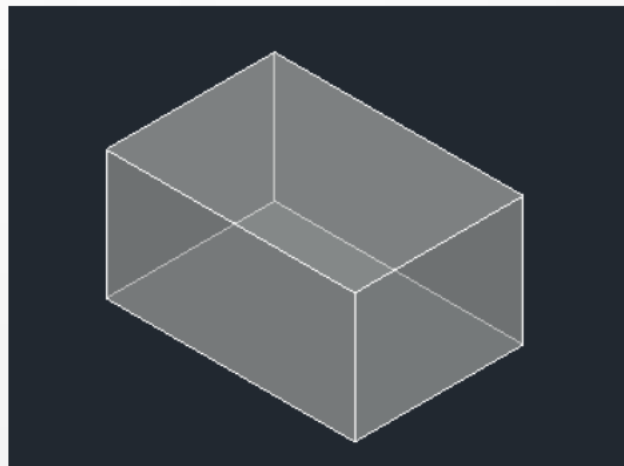
5. In which of the following formats the rendering cannot be saved?

- A. **BMP**
- B. **TIF**
- C. **TGA**
- D. **GIF**

6. Is it possible to modify the properties of materials in AutoCAD materials library?

- A. **Yes**
- B. **No**

7. Which Visual style is applied to cuboid shown here?



- A. **Shaded**
- B. **Conceptual**
- C. **Shades of Gray**
- D. **X-Ray**

8. Which of the following factor does not affect the time taken to generate a rendering?
- A. Processor Type
 - B. Available Memory and Graphics
 - C. Quality Preset of Rendering
 - D. Selection of Materials
9. Is it possible to set exact date and time of exterior lighting conditions for creating realistic renderings?
- A. Yes
 - B. No
10. Which of the following is not an advantage of creating rendering with A360 cloud account?
- A. Renderings are created quickly
 - B. High quality renderings are created
 - C. High end configuration of PC is not required
 - D. Unlimited number of renderings can be created



ANSWER KEY

20

Part 1: Introduction to AutoCAD

Question	Correct answer
Question 1	A
Question 2	A
Question 3	B
Question 4	B
Question 5	C
Question 6	C
Question 7	D
Question 8	C
Question 9	B
Question 10	D

Part 2: Creating Drawings

Question	Correct answer
Question 1	A
Question 2	C
Question 3	C
Question 4	C
Question 5	B
Question 6	C
Question 7	B
Question 8	A
Question 9	A
Question 10	B

Part 3: Modifying and Manipulating Drawings

Question	Correct answer
Question 1	B
Question 2	B
Question 3	B
Question 4	A
Question 5	C
Question 6	C
Question 7	D
Question 8	C
Question 9	B
Question 10	C

Part 4: Drawing Tools

Question	Correct answer
Question 1	D
Question 2	A
Question 3	D
Question 4	A
Question 5	C
Question 6	C
Question 7	B
Question 8	C
Question 9	A
Question 10	D

Part 5: Dimensioning and Text

Question	Correct answer
Question 1	C
Question 2	D
Question 3	A
Question 4	C
Question 5	B
Question 6	A
Question 7	D
Question 8	D
Question 9	C
Question 10	B

Part 6: Layer, Block and xRef

Question	Correct answer
Question 1	A
Question 2	A
Question 3	C
Question 4	D
Question 5	D
Question 6	A
Question 7	B
Question 8	A
Question 9	A
Question 10	B

Part 7: Preparing Layout and Plotting

Question	Correct answer
Question 1	B
Question 2	B
Question 3	B
Question 4	B
Question 5	C

3D

Part 1: Introduction to 3D solid modeling

Question	Correct answer
Question 1	C
Question 2	B
Question 3	C
Question 4	A
Question 5	D
Question 6	B
Question 7	B
Question 8	D
Question 9	C
Question 10	A

Part 2: Editing and visualizing solids

Question	Correct answer
Question 1	A
Question 2	A
Question 3	D
Question 4	C
Question 5	D
Question 6	C
Question 7	A
Question 8	D
Question 9	B
Question 10	D

Part 3: Surface Modeling

Question	Correct answer
Question 1	C
Question 2	A
Question 3	C
Question 4	A
Question 5	B

Part 4: Rendering and Presentation

Question	Correct answer
Question 1	D
Question 2	B
Question 3	B
Question 4	B
Question 5	D
Question 6	A
Question 7	D
Question 8	D
Question 9	A
Question 10	D



Jaiprakash Pandey

I am a mechanical engineer and I have worked with Design, Manufacturing and Training industries and currently, I work as CAD corporate trainer. I train corporate clients in AutoCAD, Fusion 360, and Geometric dimensioning and tolerancing and help them develop the skill set of their workforce.

I am Autodesk AutoCAD Certified Professional and an Autodesk expert elite member. I am a regular contributor to AUGI World magazine and apart from SourceCAD I also develop AutoCAD video courses for Pluralsight and other E-Learning businesses.

SourceCAD is a platform developed by me and it hosts video courses and tutorials on different CAD software and engineering drawing related topics. The courses and tutorials are free as well as paid.

This eBook was provided to you by SourceCAD, for more AutoCAD courses and videos visit SourceCAD on www.thesourcecad.com

Disclaimer

All the content of this eBook is provided as is without any warranty either express or implied. Although a lot of care has been taken in making the drawings complete and error free but if you happen to stumble across any drawing which is incomplete or with incorrect dimensions then let us know on admin@thesourcecad.com

Copyright protects all the content of this eBook, contact admin@thesourcecad.com for reprint and reuse permissions in part or full.